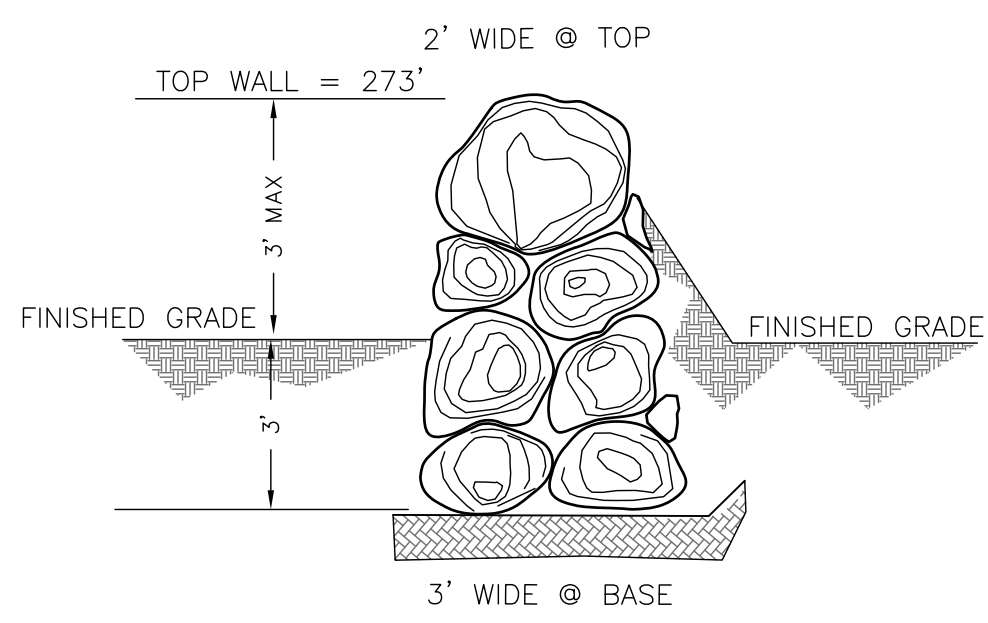


KEY:			
	HYDRANT		STONE WALL
	WATER GATE		ELECTRIC HAND HOLE
	WATER SERVICE		UTILITY POLE
	GAS GATE		LIGHT
	DRAIN MANHOLE		CONC BOLLARD
	CATCH BASIN		GUY WIRE
	SEWER MANHOLE		SIGN
	EXISTING WELL		SLOPED GRANITE CURB
	UNDERGROUND TELE.		SLOPED METAL CURB
	UNDERGROUND DRAIN		VERTICAL CONCRETE CURB
	UNDERGROUND GAS		REINFORCED CONCRETE PIPE
	UNDERGROUND ELEC.		CORRUGATED PLASTIC PIPE
	LEAD PLUG WITH ESCUTHEON PIN		MAILBOX
	CONCRETE BOUND WITH DRILLHOLE		TREE
	STONE BOUND WITH DRILLHOLE		PINE TREE
	SOLID WHITE EDGE LINE		SOLID WHITE LANE LINE
	SOLID YELLOW EDGE LINE		DASHED WHITE LANE LINE

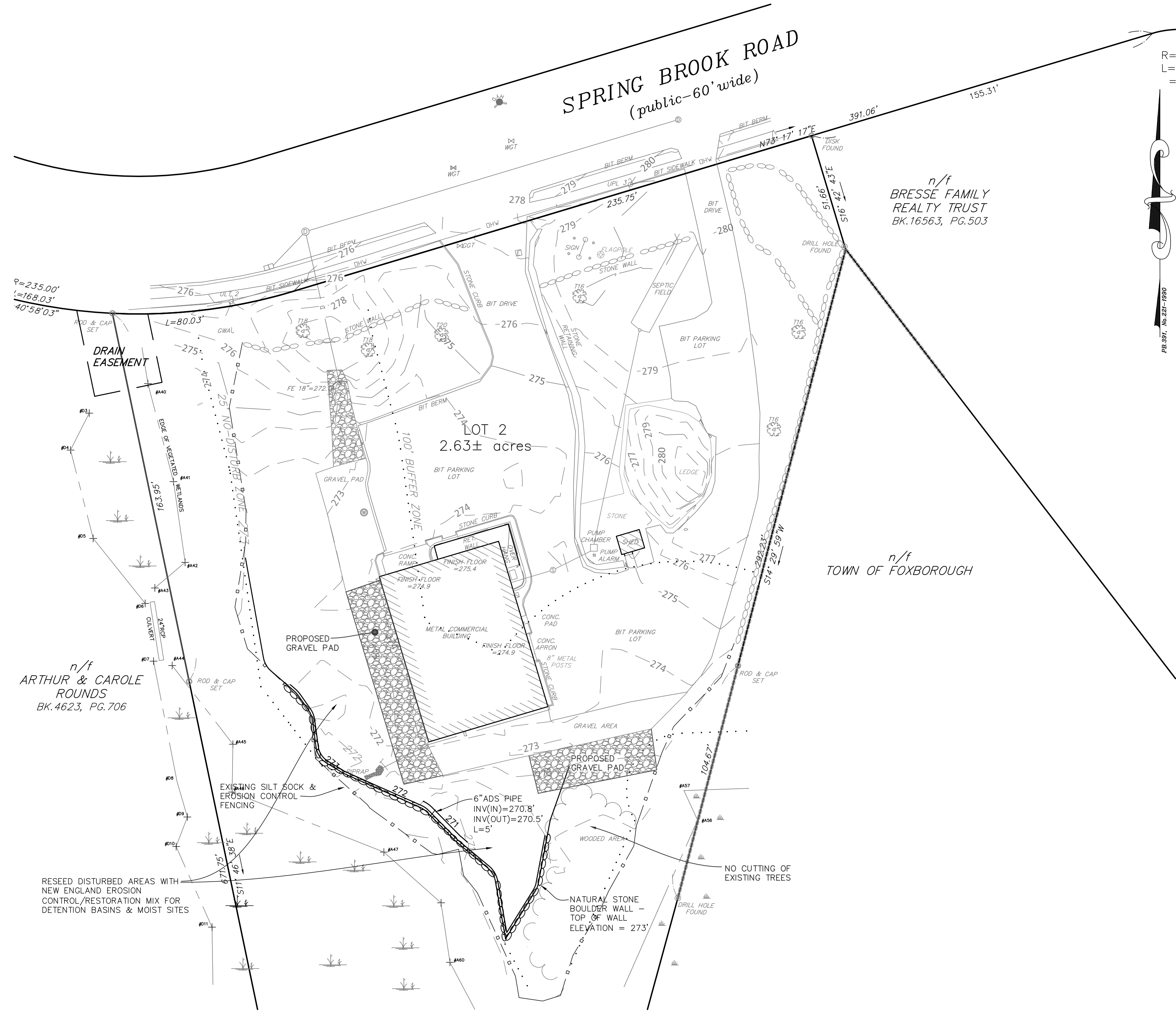


NOTES:
 1. CONSTRUCT BOULDER WALL BY INTERLOCKING ANGULAR ROCK AND CHINK SMALLER ANGULAR STONES INTO VOIDS SO THAT ROCK MASS ACTS AS GRAVITY RETAINING WALL

BOULDER WALL DETAIL
 NOT TO SCALE

NOTES

1. THE UNDERGROUND UTILITIES SHOWN HAVE BEEN LOCATED FROM AN ON THE GROUND SURVEY AND EXISTING DRAWINGS. THE SURVEYOR MAKES NO GUARANTEE THAT THE UNDERGROUND UTILITIES SHOWN HEREON COMPRISE ALL SUCH UTILITIES IN THE AREA, EITHER IN SERVICE OR ABANDONED. THE SURVEYOR FURTHER DOES NOT WARRANT THAT THEY ARE LOCATED AS ACCURATELY AS POSSIBLE FROM INFORMATION AVAILABLE. THE SURVEYOR HAS NOT PHYSICALLY LOCATED THE UNDERGROUND UTILITIES PRIOR TO CONSTRUCTION. DIG SAFE PHONE NO. 1-888-344-7233
2. WETLAND LOCATION FROM ORIGINAL 1994 SITE PLAN.
3. FIELD SURVEY PERFORMED BETWEEN JAN. 8, 2020 AND JULY 20, 2020
4. CONTOUR INTERVAL: 1 FOOT

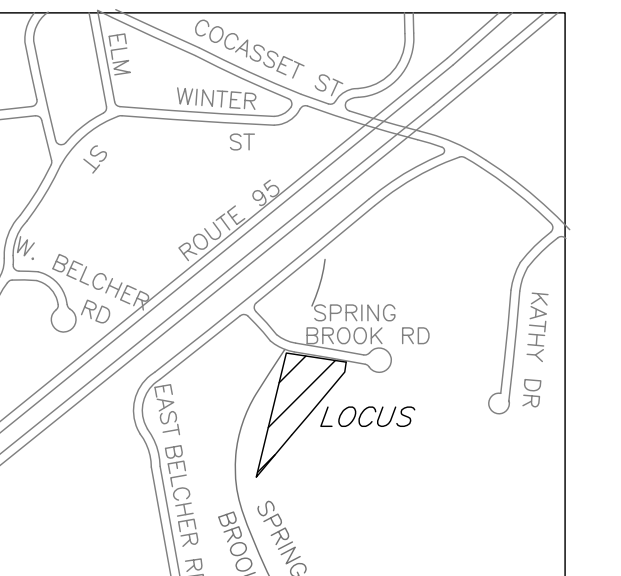


PROJECT:
5 Spring Brook Road
Foxborough, MA

OWNER:
G. Greene Properties, LLC
240 Lincoln Street
Allston, MA

Bay Colony Group, Inc.
 Professional Civil Engineers &
 Professional Land Surveyors

FOUR SCHOOL STREET
 P.O. BOX 9136
 FOXBOROUGH, MA 02035
 508-543-3939

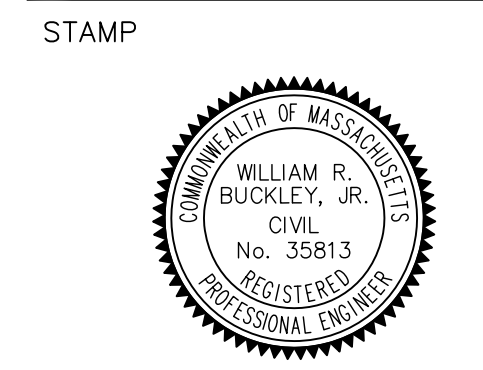


LOCUS 1"=1000'

DEED REF:
 BK.37523, PG.461

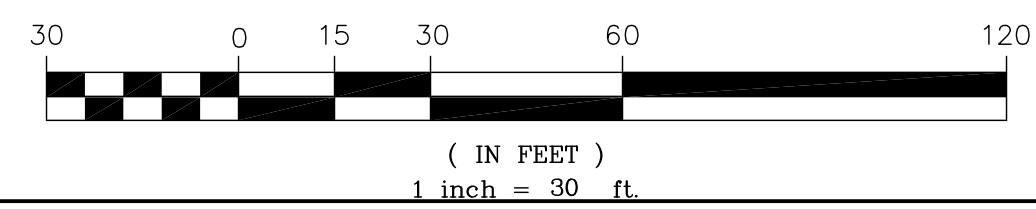
PLAN REF:
 PB.391, PLAN No.221-1990

ASSESSOR'S REF:
 MAP 094, PARCEL 018



DRAWING TITLE

Site Plan



SCALE: 1" = 30'

AUGUST 25, 2020 SHEET NUMBER

19-0191-EX **1**